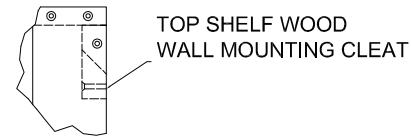
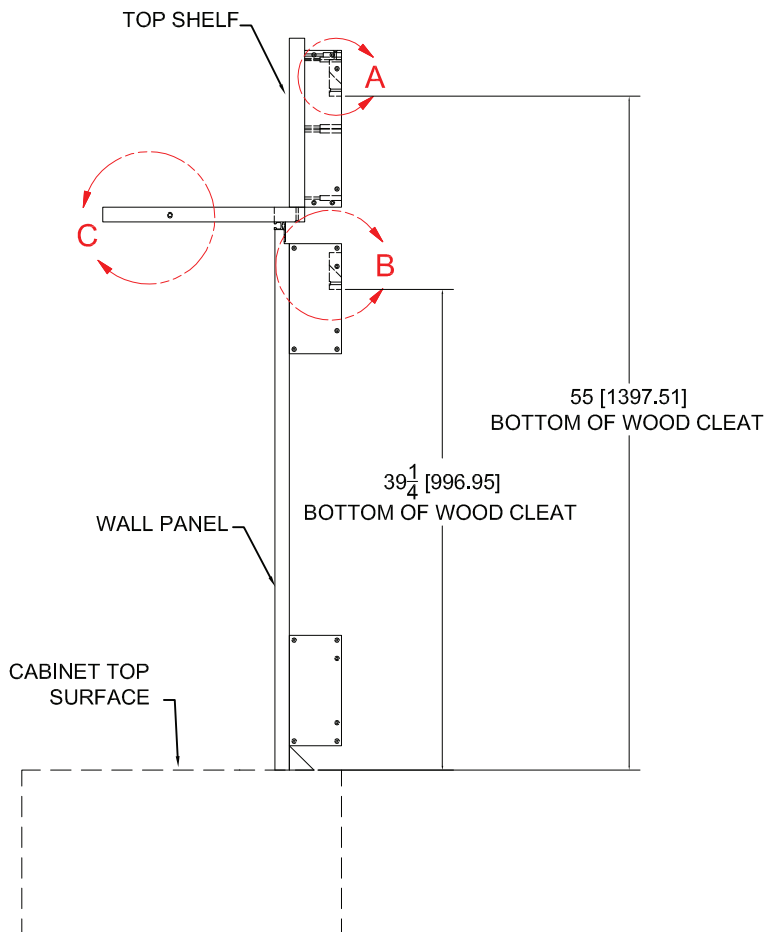


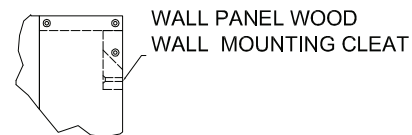
INSTRUCTIONS:

1. Align the metal frame with the bottom and back of the cabinet on both sides and fasten together.
2. Place the paper management on top of the frame. The paper management should be flush with the front of the cabinet on both sides.
3. Pre-drill (3) holes on each side for the connector bolts (1/4 bit).

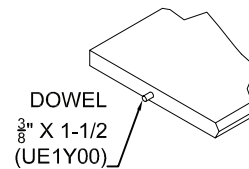
Caution: Drill slowly or place a scrap piece of wood on the inside on the cabinet to prevent it from splintering out.



DETAIL A



DETAIL B



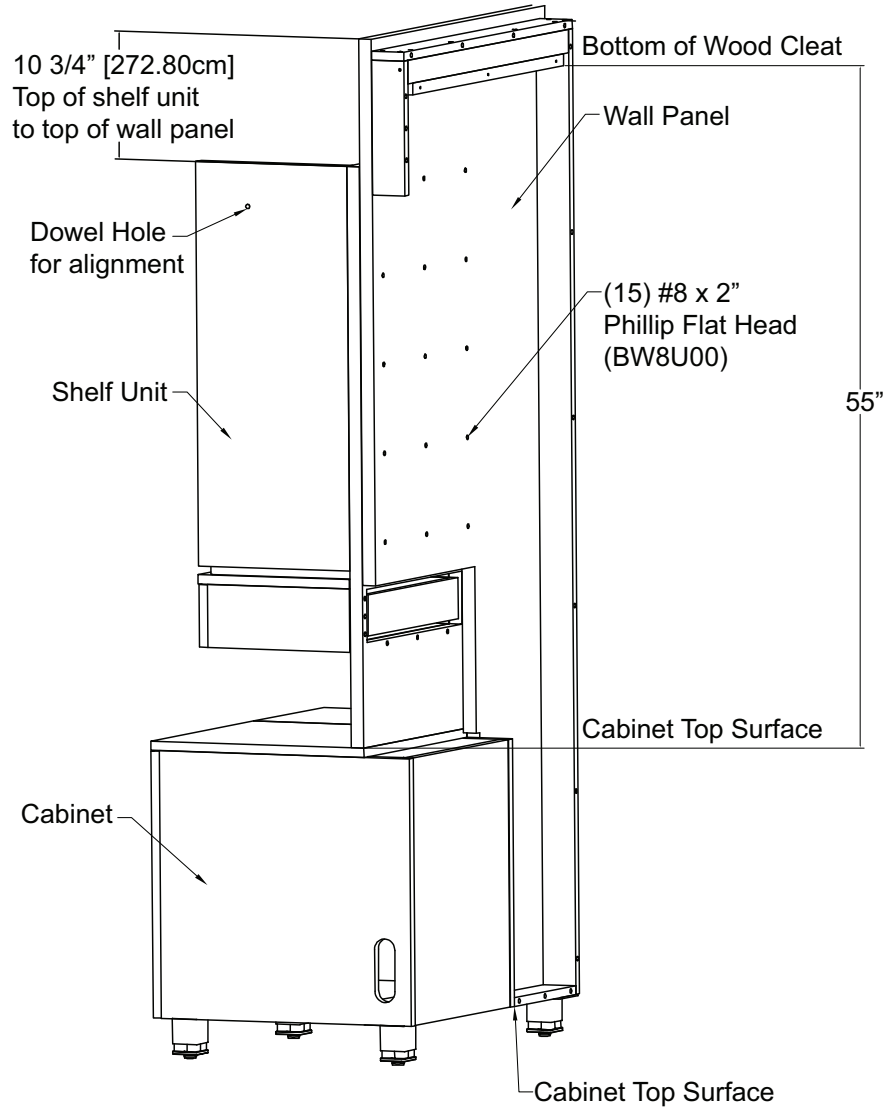
DETAIL C

RECOMMENDED HARDWARE:

1. Toggler brand toggle bolt anchor (Installer provides hardware)

INSTRUCTIONS:

1. Remove wood cleats from back side of wall panel.
2. Locate the bottoms of both wood cleats as shown.
3. Fasten wood cleat to the wall with recommended hardware.
4. Install Wall Panel.
5. Install Top Shelf.
6. Use dowels to align side units.



RECOMMENDED HARDWARE:

1. Toggler brand toggle bolt anchor
(Installer provides hardware)

INSTRUCTIONS:

1. Remove wood cleat from back side of wall panel.
2. Locate the bottom of wood cleat as shown.
3. Fasten wood cleat to the wall with the recommended hardware.
4. Align wall panel holes and shelf unit holes and screw together.
5. Install wall panel with attach shelf unit.
6. Align cabinet back edge and wall panel back edges.
7. Use dowel hole to align side units.

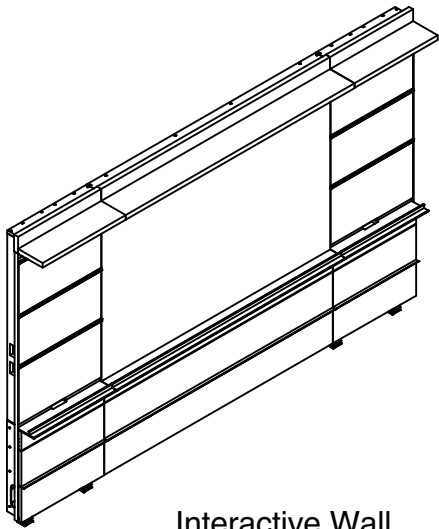
Jofco

P.O. Box 71 | Jasper, Indiana 47546 | 800-23-JOFCO | www.jofco.com

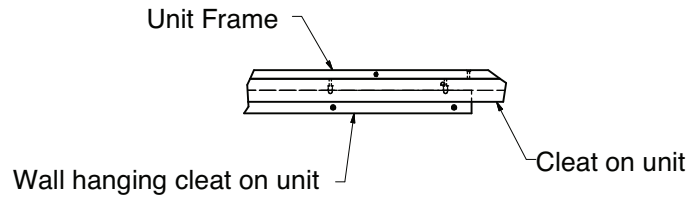
Instruction Sheet Number: IF46003

Collective®Media Wall Storage Tower Installation

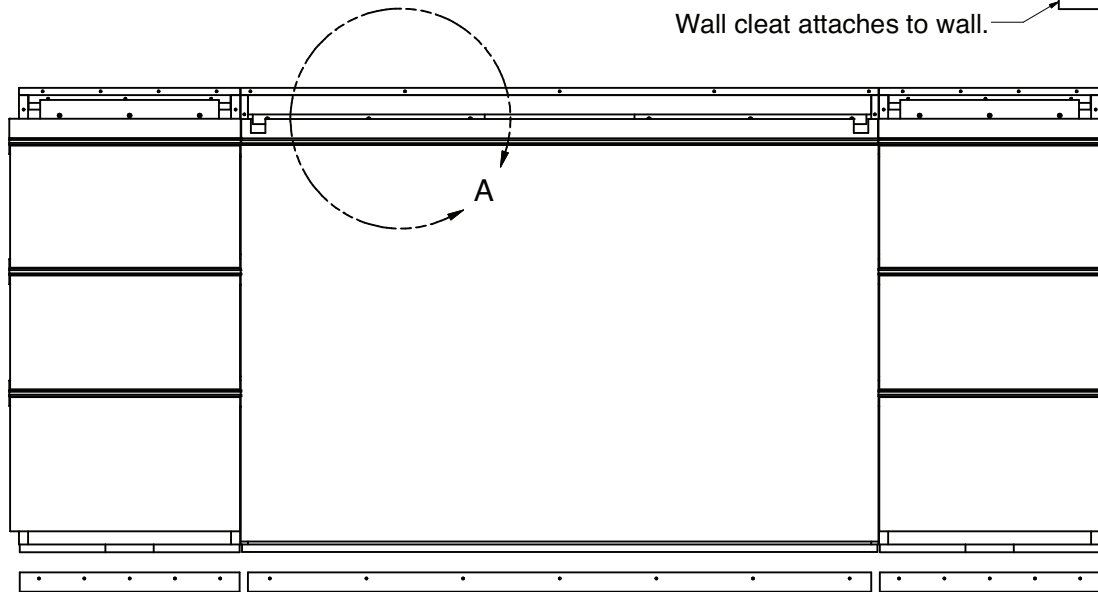
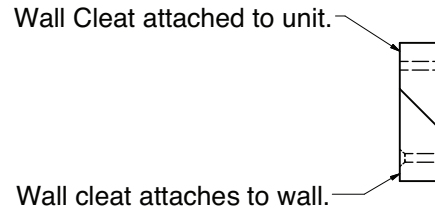
Effective Date: 7-21-08 C071



Interactive Wall
Illustration may vary from product



DETAIL A



INSTRUCTIONS:

1. Adjust all feet out approximately 1".
2. Find the highest point on the floor and use a level to draw a reference line.
3. From this reference line, measure up 82-1/4" for tall units or 69-3/4" for short units. Use a level to draw a second reference line at this point.
4. Align the bottom of the wall hanging bracket to the second reference line and attach to wall.
5. Attach the upper shelf unit to the frame.
6. Attach wall hung components and shim if needed.