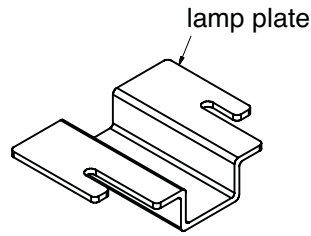
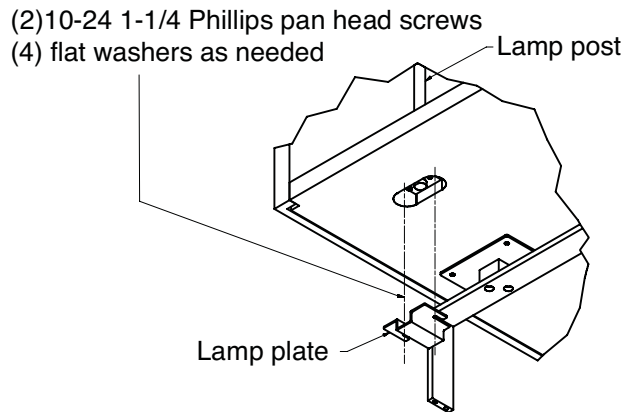


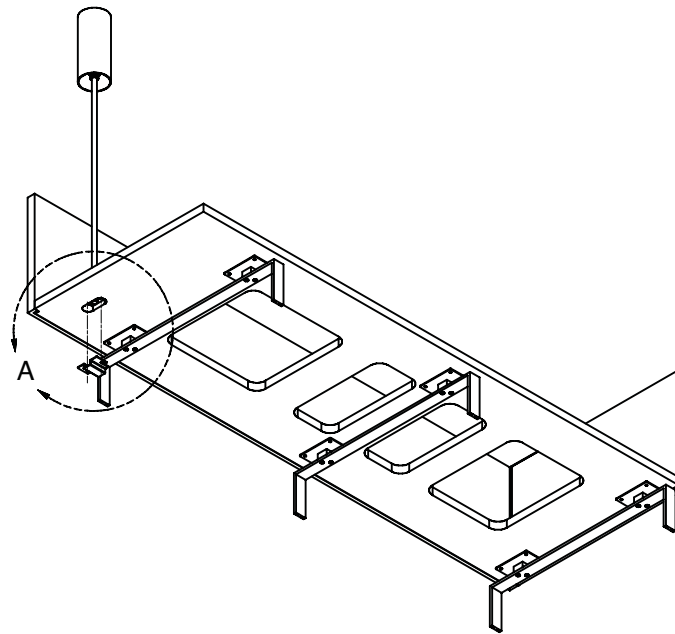
Product may vary from shown.
Cushions removed for clarity.



lamp plate



DETAIL A



INSTRUCTIONS:

1. Locate the lamp, packed separately from the lounge unit.
2. Run the cord through the hole of the lounge unit and hold the lamp to prevent it from tipping.
3. Position the lamp plate on the underside of the hole as shown in Detail A.
4. Tighten lamp and lamp plate using two (2) 10-24 1-1/4 Phillips pan head screws. **Do not over tighten.** If the lamp is loose after tightening, use flat washers to take up space.

Jofco

P.O. Box 71 | Jasper, Indiana 47546 | 800-23-JOFCO | www.jofco.com

Instruction Sheet Number: IF48005
Collective® Lounge Lamp Installation

Effective Date: 12-9-09 C066